

SAN**PU**

调光电源使用方法

DIMMER POWER SUPPLY MANUAL SCRIPT



■ 特性CHARACTERISTIC:

- 集成四种调光功能
Integration 4kinds dimmer function
(可控硅或1-10V 或PWM 信号或电阻)
Silicon control ,1-10V, PWM signal or Resistance
- 兼容前后切可控硅调光器
Compatibility before and after change silica control dimmer
- 保护种类:短路/过电流/过电压
Protected: Short circuit / over current / over voltage
- 自然风冷 Natural air cooling
- 适用于LED 家用照明和商业照明等应用
Apply to LED home lighting and commercial lighting ,etc..
- 安全无负载保护装置
Safety no load protection device
- 安装经济便捷
Easy installation
- 符合世界照明设备安全规范
Comply with the world lighting safety regulations
- 2 年质保 2 Years warranty

电气规格/specifications

型号/PN		CRS60-W1V		CRS100-W1V		CRS200-H1V	
输出 OUTPUT	额定功率 Rated Power	60W		100W		200W	
	输出电流 Output	5.0A	2.5A	8.3A	4.15A	16.6A	8.3A
	输出电压 Output	12.0V	24.0V	12.0V	24.0V	12.0V	24.0V
	纹波电压 Ripple Voltage	120mV	150mV	120mV	150mV	120mV	150mV
输入 INPUT	输入电压 Input Voltage	195~264VAC					
	输入频率 Input Frequency	47~63Hz					
	功率因数 Power Factor	PF \geq 0.5					
	输入电流 Input Current	0.65A		1.25A		2.50A	
	效率 Efficiency	\geq 85%	\geq 87%	\geq 85%	\geq 87%	\geq 86%	\geq 88%

型号 Model No		T60W系列 T60W Series	T100W系列 T100W Series	T200W系列 T200W Series
保护 Protection	过流保护 Over Current Protected	110%~130%		
	短路保护 Short Circuit Protected	无输出,异常条件移除后可自动恢复 No output,After remote exceptional condition automatic recovery		
	过压保护 Over Voltage Protected	280VAC		
	过温保护 Over Temp Protected	100°C ± 10°C 保护模式:关闭输出电压,重启后恢复 100°C ± 10°C Protected mode:Close output voltage, Restart recovery		
环境 Environment	工作温度 Working Temp	-30-60°C		
	存贮温度 Storage Temp	-40—80°C		
	工作相对湿度 Working Relative Humidity	10—50%		
	存贮相对湿度 Storage relative humidity	10—90%		
	散热方式 Cooling Method	自冷 Self-Cooling		

型号 Model No		T60W系列 T60W Series	T100W系列 T100W series	T200W系列 T200W Series
绝缘耐压 Insulation withstand voltage	输入对输出 Input to Output	3000Vac/10mA/1min		
	输入对大地 Input to Ground	1500Vac/10mA/1min		
	输出对大地 Output to Ground	500Vac/10mA/1min		
绝缘阻抗 Insulation impedance	输入对输出 Input to Output	DC500V/10MΩ Min		
	输入对大地 Input to Ground			
	输出对大地 Output to Ground			
其他 Others	尺寸 Size	195*49*30mm	232*49*30mm	286*49*30mm
	包装 Package	牛皮盒 Brown Box		

注：如未特别说明，所有规格参数均在输入为230VAC、额定负载、25°C环境温度下进行量测。

Noted: If have no special explanation, All spec date are input 230VAC, Rated Load, Testing under ambient temperature 25°C

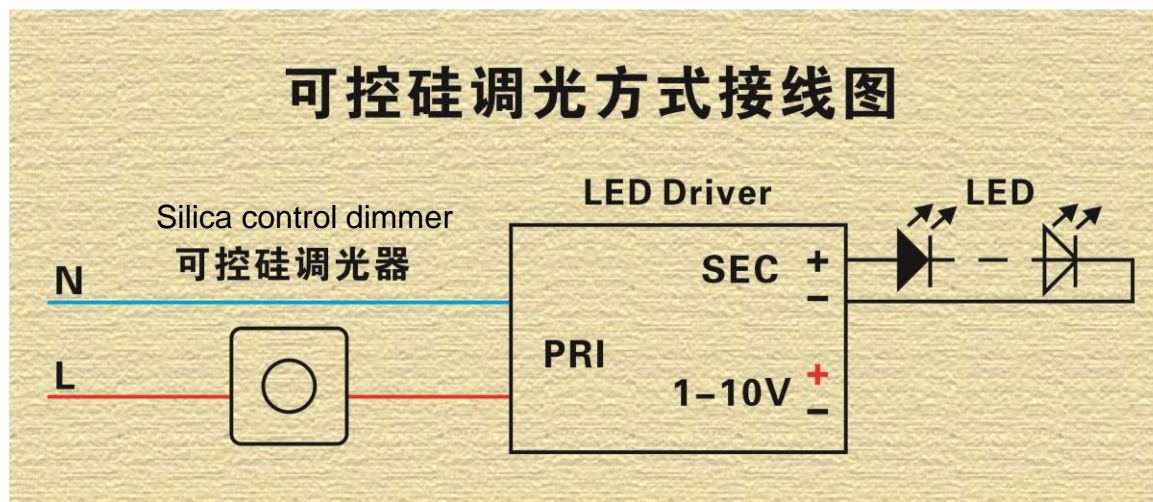
调光操作法 DIMMER WORKING METHOD



※ 在电源火线L中，串入可控硅调光器，可实现调光。

In the power supply Line L, Connect silica control dimmer, Dimming can be achieved.

Silica control dimmer method wiring diagram :



※ 在Sig+和Sig-间连接一个电阻或连接1-10V 直流电压或10V PWM 信号，即可调整输出输出电压的数值。

Between Sig+ and Sig- connect one pcs resistance or connect 1-10V DC voltage or 10V PWM signature, Can adjust output voltage

※ 1-10V 调光功能调整输出电压值（典型值）

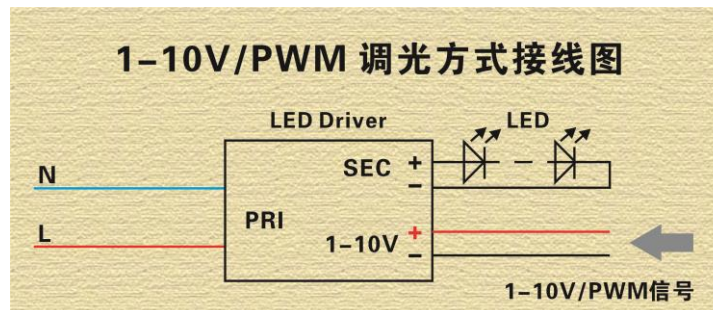
1-10V dimmer function adjust output voltage

调整伏数 Adjust Voltage	1V	2V	3V	4V	5V	6V	7V	8V	9V	10V
额定电压百分比 Rated Voltage ratio	10%	20%	30%	40%	50%	60%	70%	80%	90%	100%

※ 10V PWM 信号调整输出电流值（典型值）：频率范围：100Hz~3KHz

10V PWM signal adjust output current : Frequency Range: 100Hz~3KHz

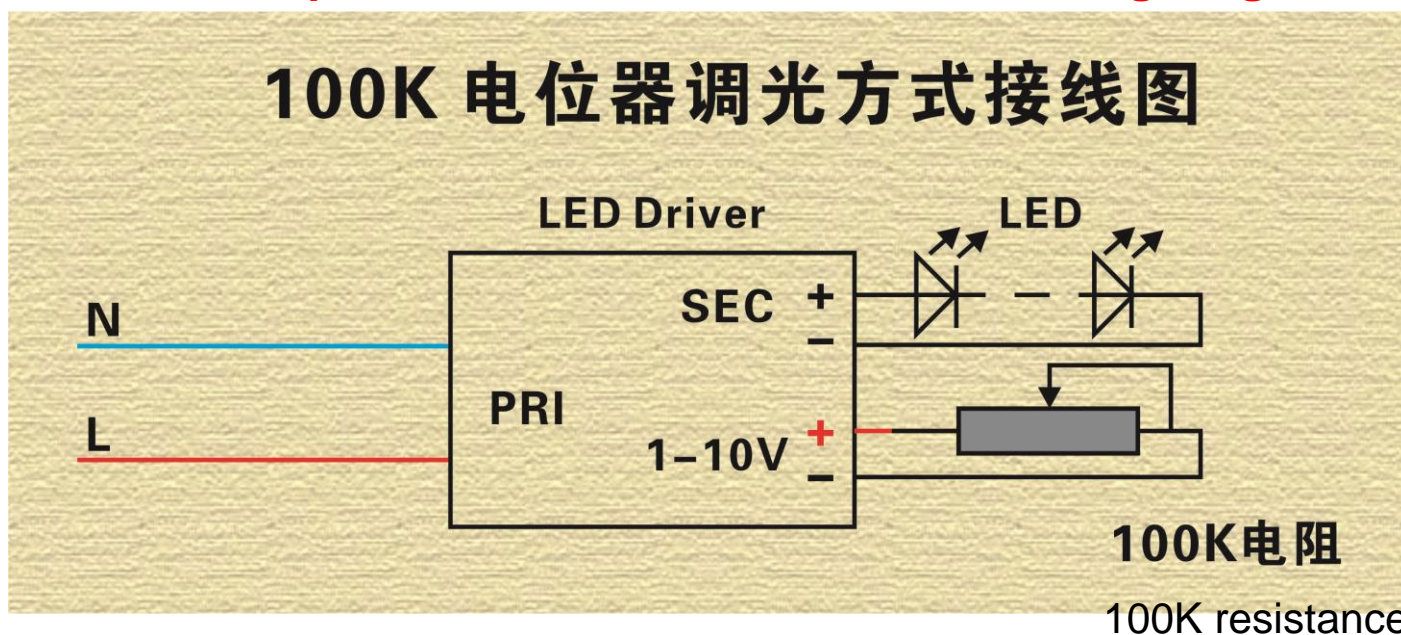
占空比 Duty Cycle	10%	20%	30%	40%	50%	60%	70%	80%	90%	100%
额定电压百分比 Rated Voltage ratio	10%	20%	30%	40%	50%	60%	70%	80%	90%	100%



※ 调整输出电压的参考电阻值（典型值） Adjust output voltage Reference resistance value

电阻阻值 Resistance	10K Ω	20K Ω	30K Ω	40K Ω	50K Ω	60K Ω	70K Ω	80K Ω	90K Ω	100K Ω
额定电压百分之比 Rated Voltage ratio	10%	20%	30%	40%	50%	60%	70%	80%	90%	100%

100K potentiometer dimmer method wiring diagram



■ 使用指导 USE OF GUIDANCE

本产品输入端是825 3P带盖的端子，接交流火线L/零线N和大地。输出端子是950 4P带盖的端子，按产品标识接线，注意正负极。

Input terminal is 825 3P with cover, Connect AC fire wire L / null line and Ground.

Ourput terminal is 950 4P with cover, According to product indicate connect wire, Pay attention to positive and negative poles

注意事项 Pay Attention:

★★注1：在使用本电源时，

请注意区分输入端和输出端,请正确接线,核对无误后才能通电；

1. When using power supply, Please note that the input and output, Please connect correctly, Checking first, Working second;

★★注2：请先接好DC输出端的负载,确认无误,再开电源；

必须等输出端储存的电能量释放完后,再接LED,否则可能烧坏LED；

2. Please connect the DC output load, After confirm correct, Open power supply;

Must wait after the output of the stored energy is released , Connect LED light, Otherwise it may damage the LED light.

■ 非正常现象及相应的处理方法： Abnormal Processing Method

1、电源在第一次装置好电气连接后，出现不亮，请切断AC输入端并检查：

1. First time connect power supply, If appear not bright, Please Cut off the AC input and check

a) DC输出端有无接触不良；

a) DC output terminal have bad contact or not;

b) DC输出端正负极是否接反，LED板是否有焊反；

b) DC output terminal positive and negative poles connect correct or not, Led plate is welded correct or not;

c) AC输入端有无接触不良；排除以上故障后再测试。

c) AC Input terminal bad contact or not; Exclude the above faults and test again

2、在装置好电气连接后，LED灯点亮，但LED灯出现闪烁，请切断AC输入端，检查DC输出端：

When connect well, Open led light, But led light happend twinkle, Please cut AC input terminal, Checking DC output terminal.

a) 有无过载、超载、轻载；

Have over loading, fractional load or not;

b) 电源设计参数与实际使用参数不符。

Power supply design parameter is different to inter use parameter .

3、产品在使用过程当中如遇其他疑问或问题，请及时与我公司沟通、反馈不良信息，我公司将积极协助贵公司解决问题。

If power supply working still have any other problem, Please contact with us in time, We will help resolve the problem.

■ 声明 DECLARE

图片与规格供参考，以实物为准，规格如有变化，另行通知。

Photo and spec for reference only, In kind prevail, If have change for spec, We will further notice.